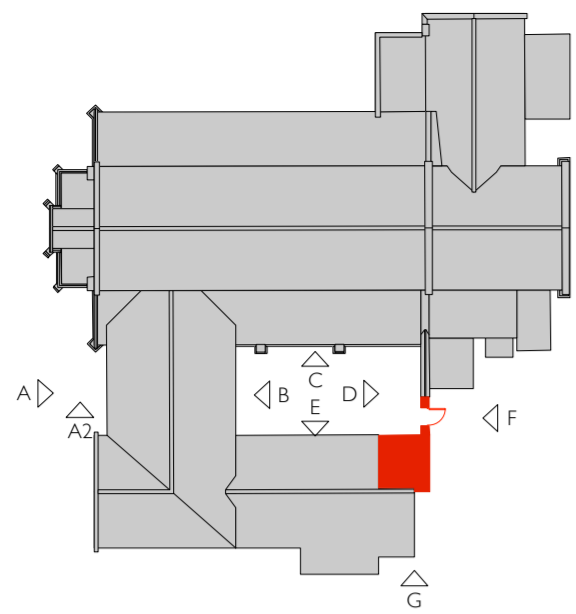


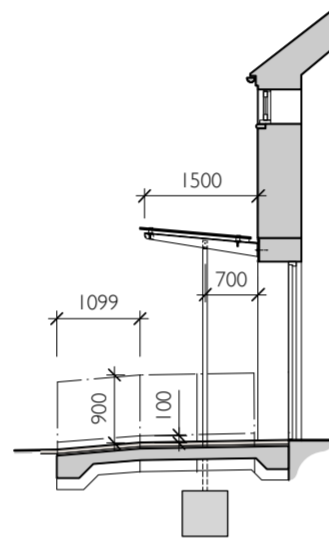
Key
1:500



New glazed canopy over entrance, supported by SS tie rods from above; 2.4m x 1.5m with 5° fall back to gutter. New entrance ramp and ss handrails at 900 and 100mm above ramp surface.

Datum 13.00m

A. Part West Elevation - Front Entrance



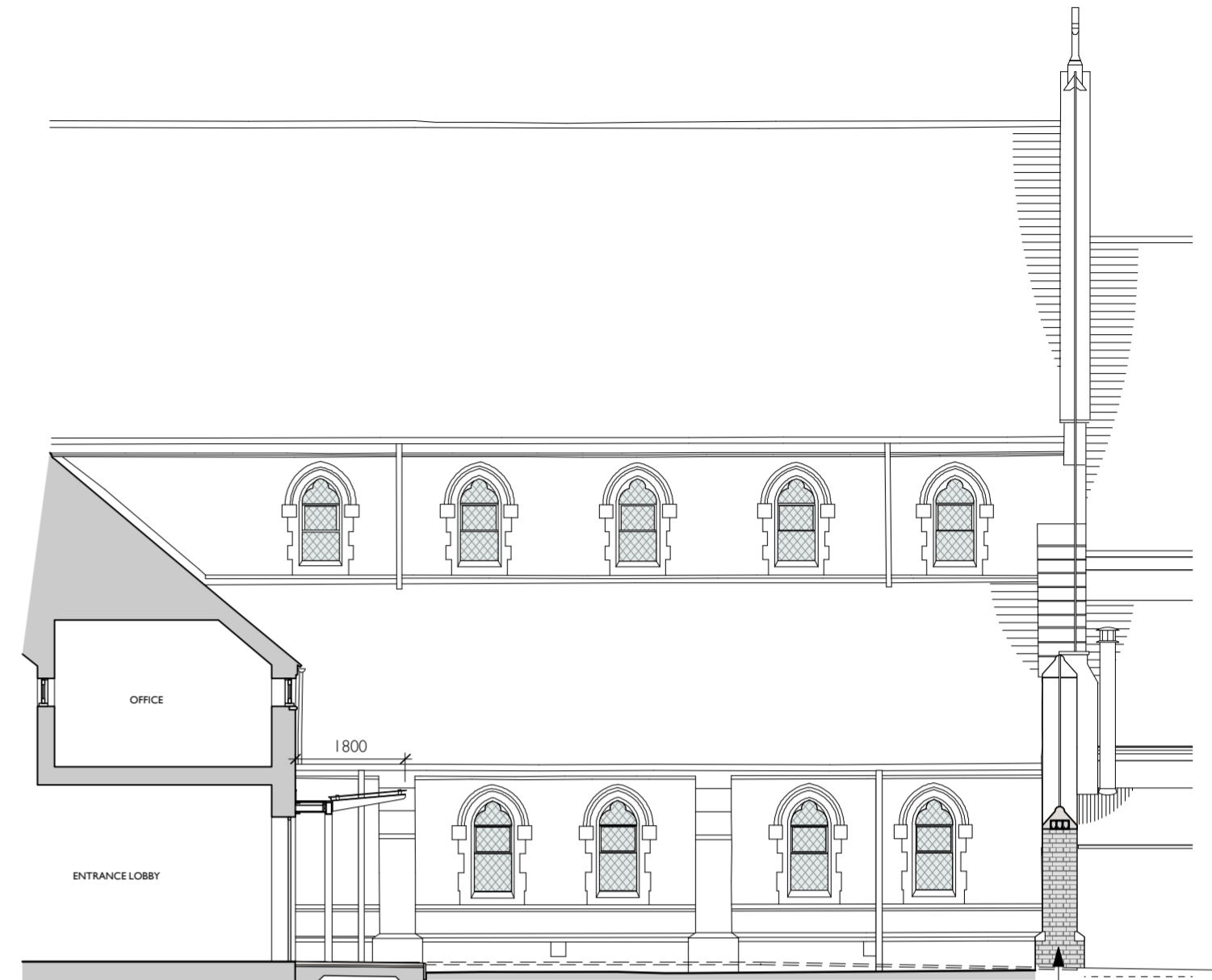
Datum 13.00m

A2. Front Entrance



Datum 13.00m

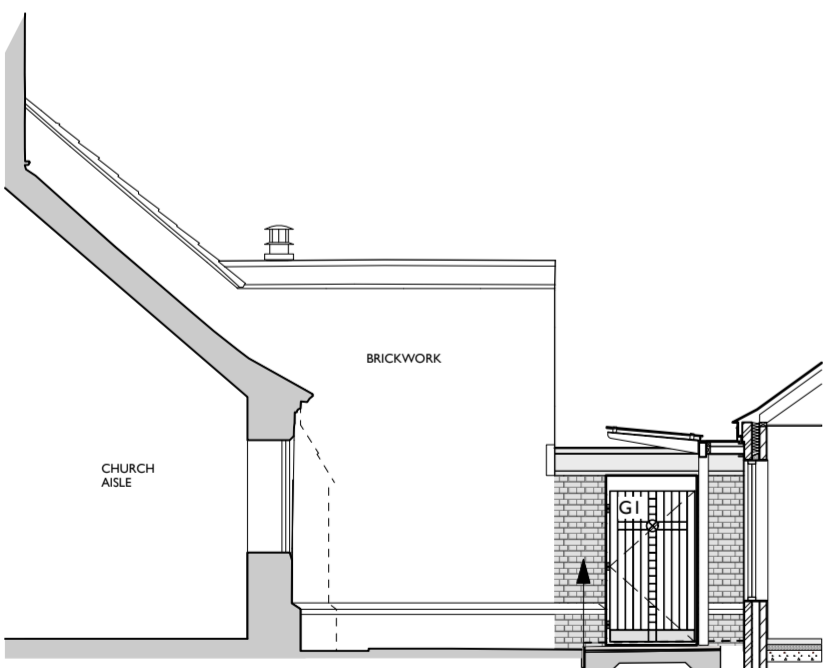
B. Courtyard - East Elevation



Datum 13.00m

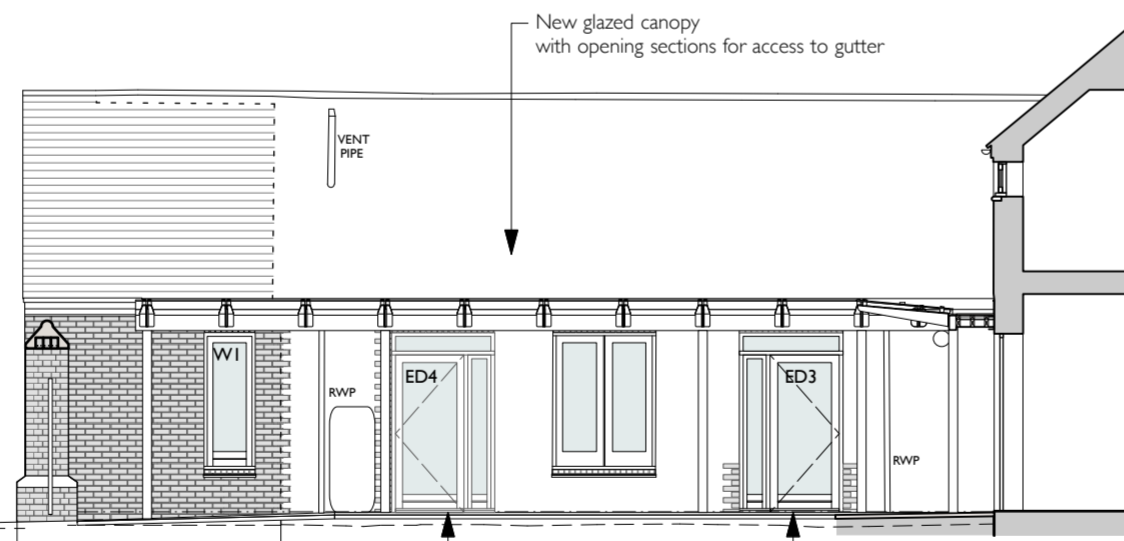
C. Courtyard - South Elevation

New external brick wall (English bond) with recon stone coping and lintol. Gate to between car park & courtyard



Datum 13.00m

D. Courtyard - West Elevation



Datum 13.00m

E. Courtyard - North Elevation



Datum 13.00m

F. Part East Elevation

Datum 13.00m

G. Part South Elevation

Notes

- 1: This drawing must not be scaled - work only to figured dimensions
- 2: Dimensions must be verified on site by the contractor before preparation of shop drawings.
- 3: The architect must be notified of any discrepancies immediately
- 4: This drawing applies only to this job and site
- 5: This information on this drawing is copyright protected

Drawn	Checked	Date	Description
WC	PW	15/05/2018	- Building Regs Application
WC	PW	31/05/2018	A Doors ED3 & 4 and canopy revised.
WC	PW	11/06/2018	B Issued for Tender.
WC	PW	14/02/2019	C Issued for Construction. Gate revised Brick pattern corner shown.

HaysomWardMiller Architects

7 Downing Place Cambridge CB2 3EL
 T : 01223 578545
 email : info@haysomwardmiller.co.uk

Project: Enlarging Our Tent
 For: St John the Evangelist's Church, Hills Road, Cambridge CB2 8RN
 Scale: 1:100
 Paper Size: A2

Proposed Elevations

Job no. 16.589
 Drawing no. WD 08
 Revision no. C